



Description:

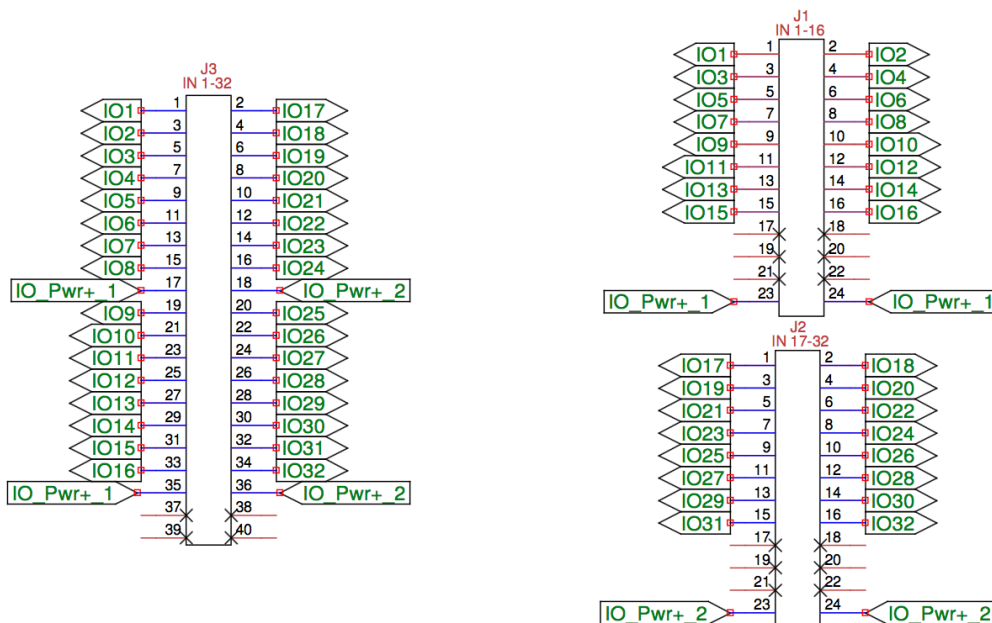
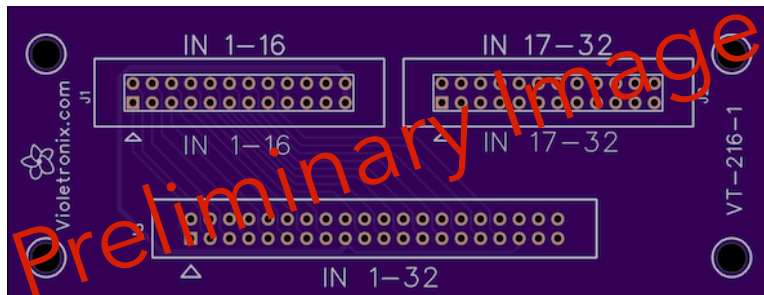
- ▶ Splits Omron XW2Z-nnnB 40 pin, 32 point Input module cable into two separate sets of 16 point, 24 pin connectors suitable for connection to the Tech Works 16 Channel Intercom Relay board, model ICR-116. ( <http://www.tech4people.com/catalog/products/icr-116/> )

Features:

- ▶ I/O point common isolation is maintained from the 40 pin connector through to the 24 pin connector.
- ▶ Long latching levers for J3.
- ▶ Board material: Industry standard FR4 94-V0 fire resistant self extinguishing fiberglass epoxy.
- ▶ Dimensions X:1.5 inches, Y: 3.950 inches
- ▶ Designed for optional Wago 288-600 DIN rail mounting tray. See page 2 for Wago detail.
- ▶ #6 Stud mounting holes

Note:

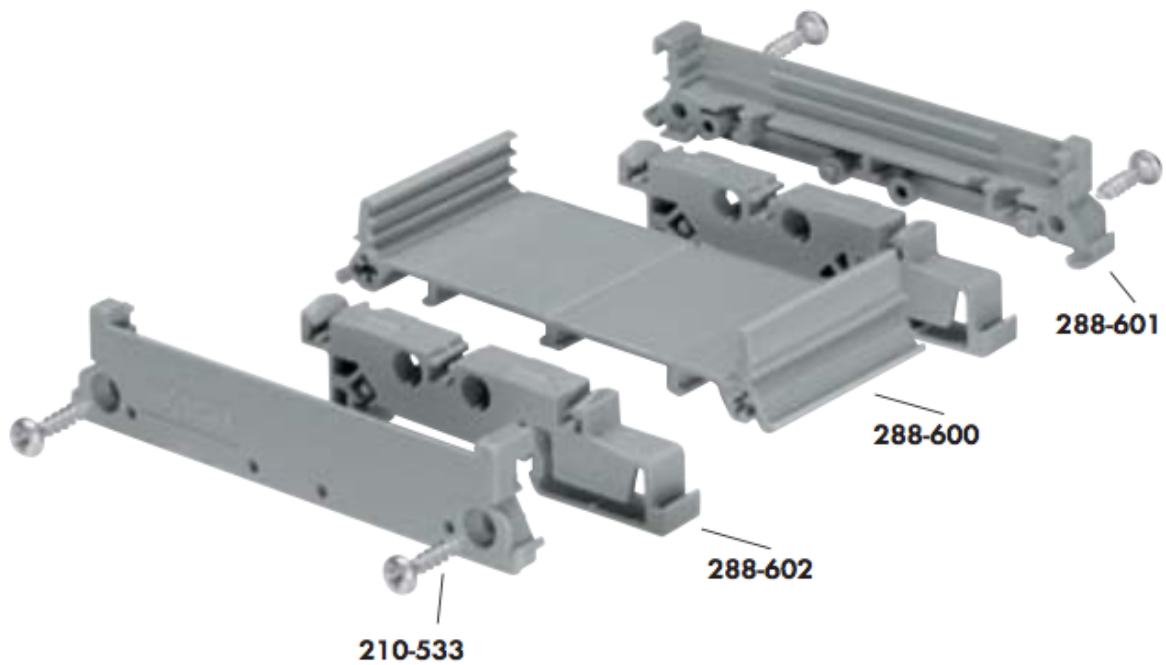
- ▶ Compatible input modules; CS1W-ID231, CS1W-ID261, C200H-ID111.
- ▶ For Output modules such as CS1W-OD231, CS1W-OD261, use the VT-215 or VT-217 part.





**Wago DIN rail mounting detail;**

- ▶ 288-600: Carrier tray
- ▶ 288-601: Lateral end cap
- ▶ 288-602: Carrier tray DIN rail feet
- ▶ 210-533: Lateral end cap screws



*Image shown for reference only, Copyright (C) Wago*