

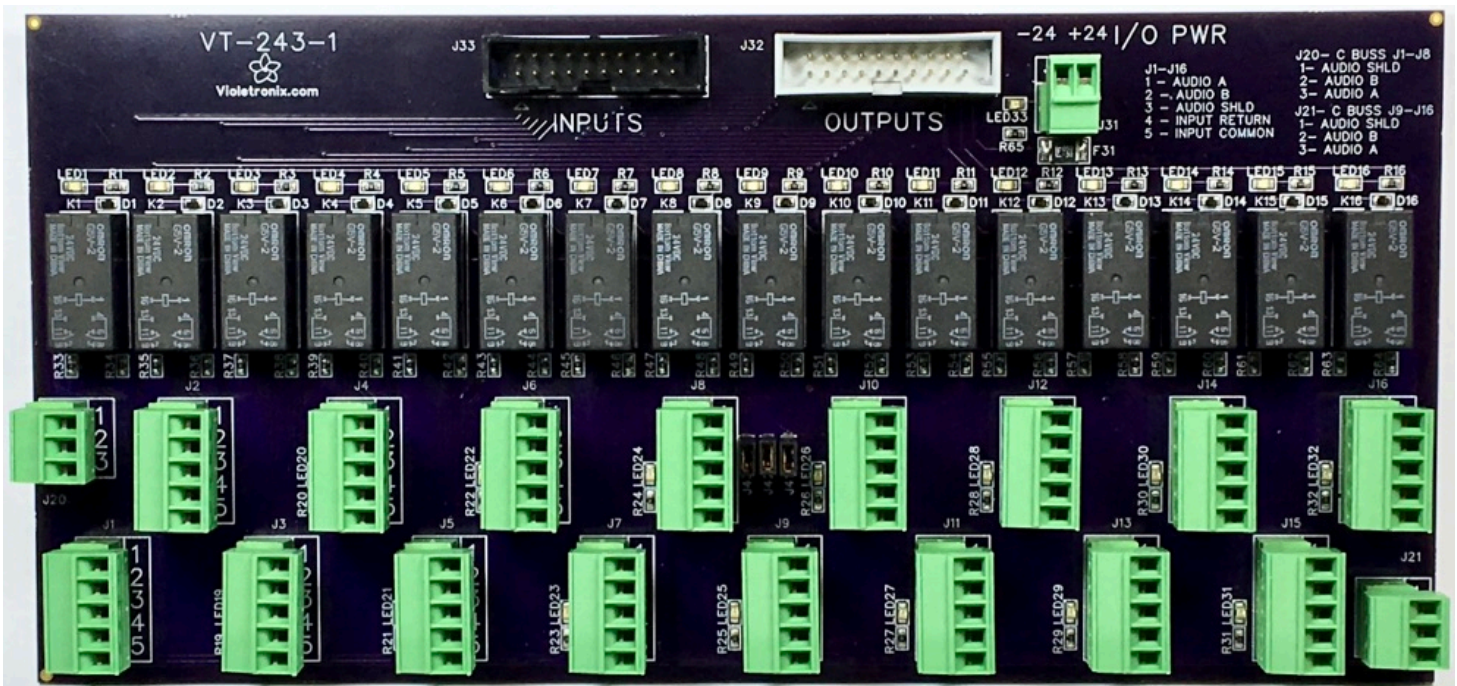


Description:

- ▶ Provides 16 each of field wiring termination, switching relay and activity LEDs for 25v audio devices w/ corresponding inputs.

Features:

- ▶ Can be split into two independent 8 device busses by removing three jumpers.
- ▶ Green LEDs indicating active outputs, and Yellow LEDs indicating active inputs.
- ▶ Field termination connectors are screw terminals for 28AWG to 16AWG wiring.
- ▶ Control and monitoring are accomplished via two 20 pin standard ribbon cable connectors using a sinking wiring configuration.
- ▶ For effortless and error free, labor saving, connection to PLCs, see the [VT-210/VT-211](#) cable and [VT-212/VT-213](#) cable-less input/output splitter boards.
- ▶ Self healing I/O power fusing.
- ▶ Consumes < 400 mA w/ all inputs and outputs active.
- ▶ Designed for mounting using Wago 288-600 DIN rail tray. See page 2 for Wago detail.
- ▶ Dimensions X: 8.3 inches, Y: 3.95 inches
- ▶ Board material: Industry standard FR4 94-V0 fire resistant self extinguishing fiberglass epoxy.





Wago DIN rail mounting detail;

- ▶ 288-600: Carrier tray
- ▶ 288-601: Lateral end cap
- ▶ 288-602: Carrier tray DIN rail feet
- ▶ 210-533: Lateral end cap screws

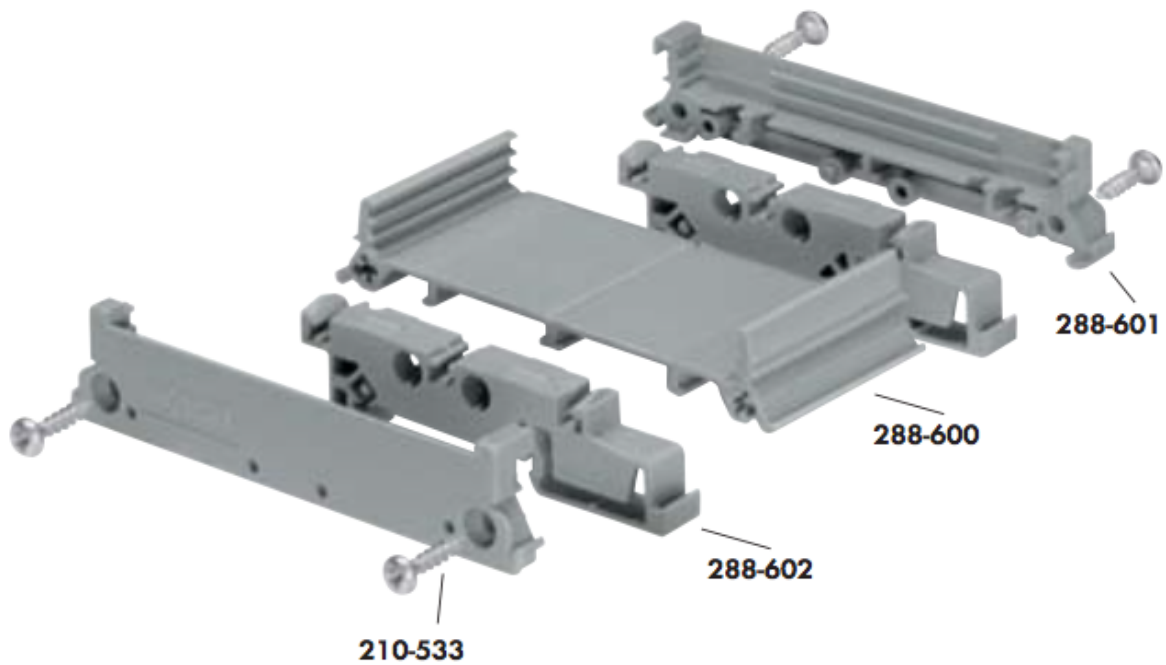


Image shown for reference only, Copyright (C) Wago