



Description:

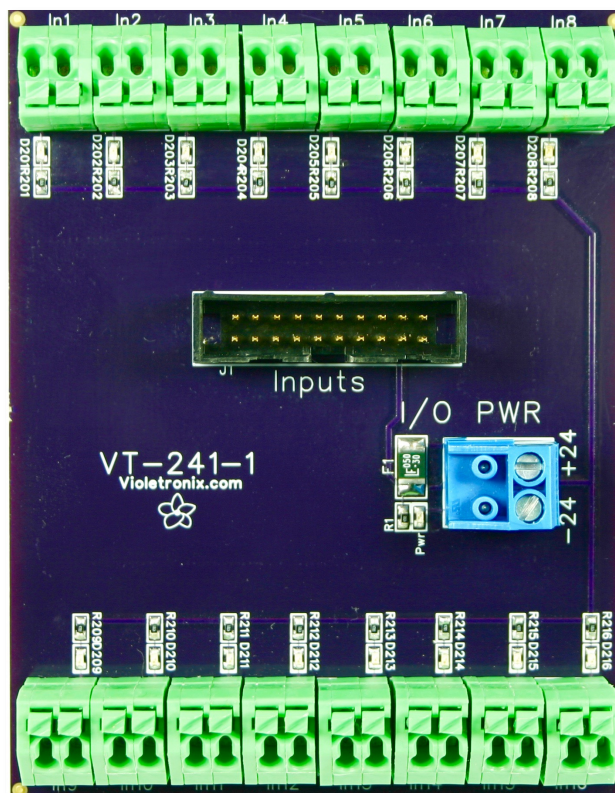
- ▶ Breaks out a 20 pin Input cable to discrete wire termination blocks, suitable for low voltage interfacing.

Features:

- ▶ Designed to directly attach to any either of the Input VT-210 or VT-212 20 pin connector cable splitter boards.
- ▶ LEDs indicating Input (Green) activity.
- ▶ Screw-less field wiring termination blocks for 24AWG to 16AWG wire.
- ▶ Self healing I/O Power fusing.
- ▶ Detachable I/O power connector.
- ▶ Designed for mounting using Wago 288-600 DIN rail tray. See page 2 for Wago detail.
- ▶ Dimensions X: 3 inches, Y: 3.95 inches
- ▶ Board material: Industry standard FR4 94-V0 fire resistant self extinguishing fiberglass epoxy.

Note:

- ▶ For 20 pin Outputs breakout, see VT-242.





Wago DIN rail mounting detail;

- ▶ 288-600: Carrier tray
- ▶ 288-601: Lateral end cap
- ▶ 288-602: Carrier tray DIN rail feet
- ▶ 210-533: Lateral end cap screws

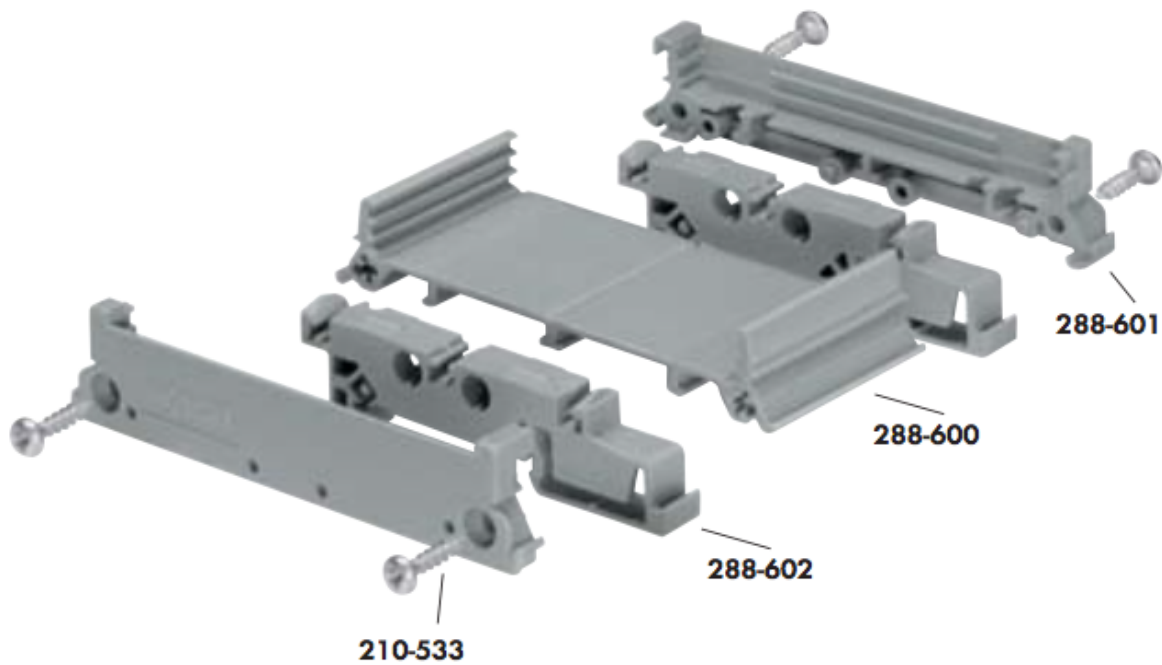


Image shown for reference only, Copyright (C) Wago