



Description:

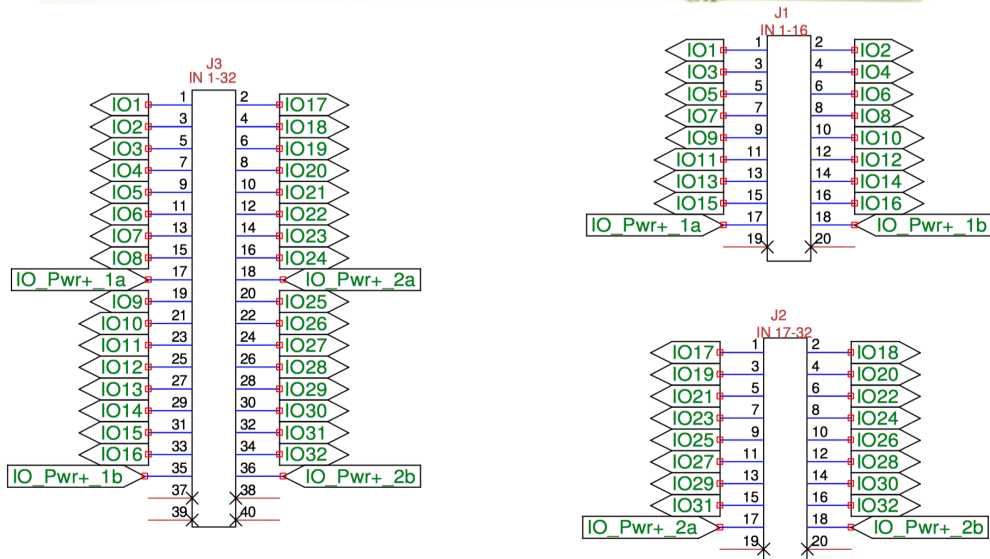
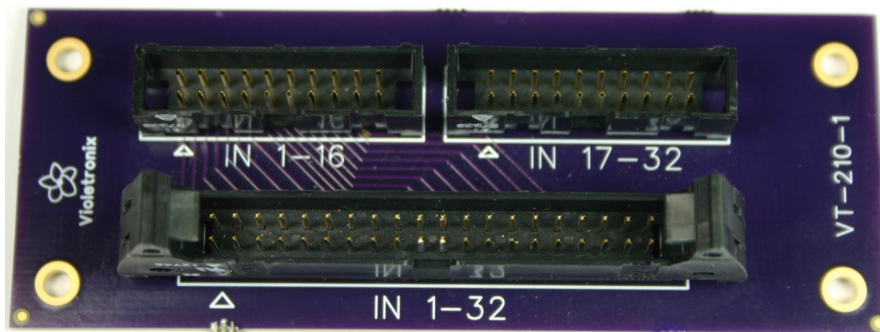
- ▶ Splits Omron XW2Z-nnnB 40 pin, 32 point Input module cable into two separate sets of 16 point, 20 pin connectors.

Features:

- ▶ I/O point common isolation is maintained from the 40 pin connector through to the 20 pin connector.
- ▶ Long latching levers for J3.
- ▶ Board material: Industry standard FR4 94-V0 fire resistant self extinguishing fiberglass epoxy.
- ▶ Dimensions X:1.5 inches, Y: 3.950 inches
- ▶ Designed for optional Wago 288-600 DIN rail mounting tray. See page 2 for Wago detail.
- ▶ #6 Stud mounting holes

Note:

- ▶ Compatible input modules; CS1W-ID231, CS1W-ID261, C200H-ID111.
- ▶ For Output modules such as CS1W-OD231, CS1W-OD261, use the VT-211 part.





Wago DIN rail mounting detail;

- ▶ 288-600: Carrier tray
- ▶ 288-601: Lateral end cap
- ▶ 288-602: Carrier tray DIN rail feet
- ▶ 210-533: Lateral end cap screws

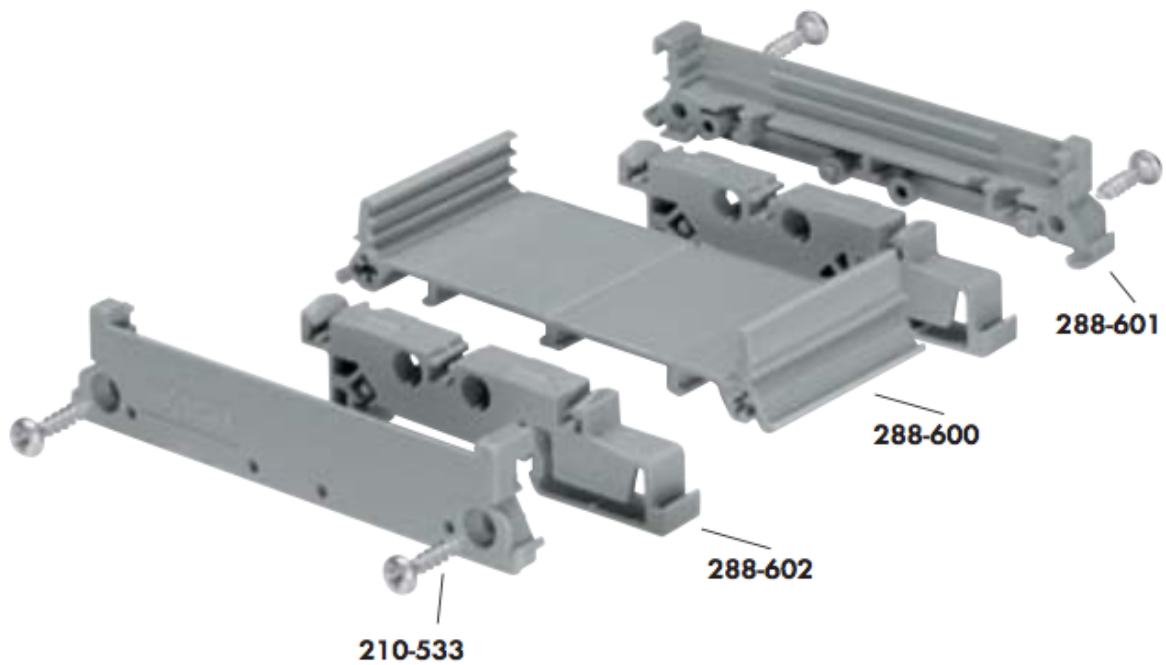


Image shown for reference only, Copyright (C) Wago